

Perfect Fit Bendable Drapery Track Cavity Instructions Supplemental

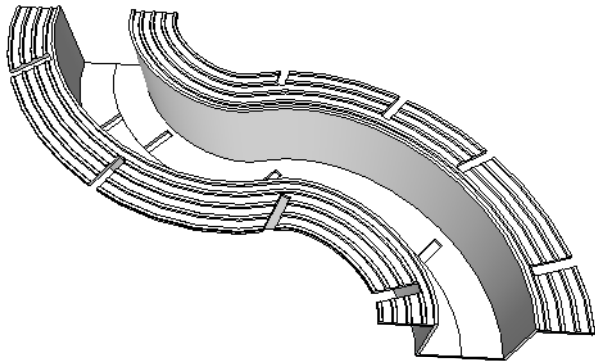
Please use this guide in conjunction with the Perfect Fit straight cavity instructions guide

Congratulations on your purchase of a specialty system from DEL Motorized Solutions.

If you have any questions, please call technical support at 1-866-446-6867

or email us at info@motorizedsolutions.com

PerfectFit

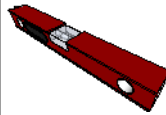


Important Notes - Please Read Before Installing



CAUTION: RISK OF FALLING OBJECTS

Securely install the system per the mounting instructions. Failure to do so could result in injury.



All mounting surfaces must be level.



Perfect Fit and hardware are to be anchored into wood blocking. If wood blocking is not available, you must use appropriate fasteners (not included) to support the weight of the system and load.



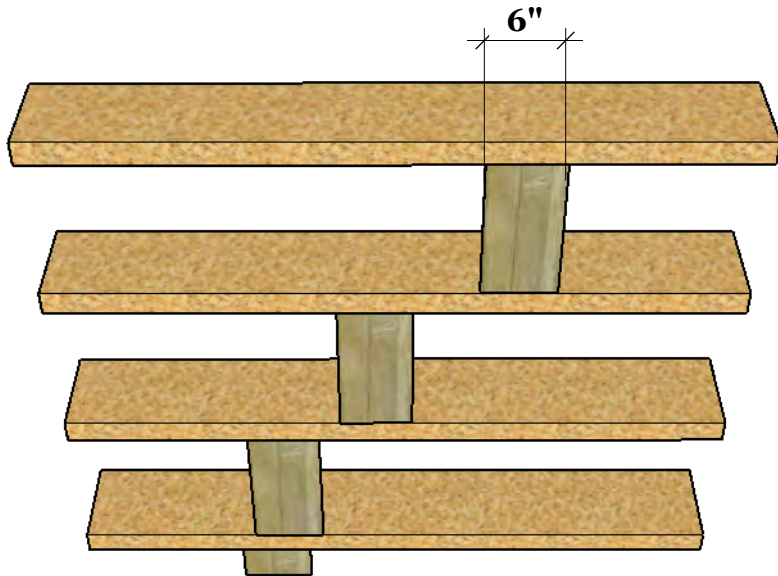
Pre-drill all holes with the appropriate size bit.

TOOLS REQUIRED

Pencil, Tape Measure, Powered Screwdriver, Drill, Level, Rasp, Drill bits.

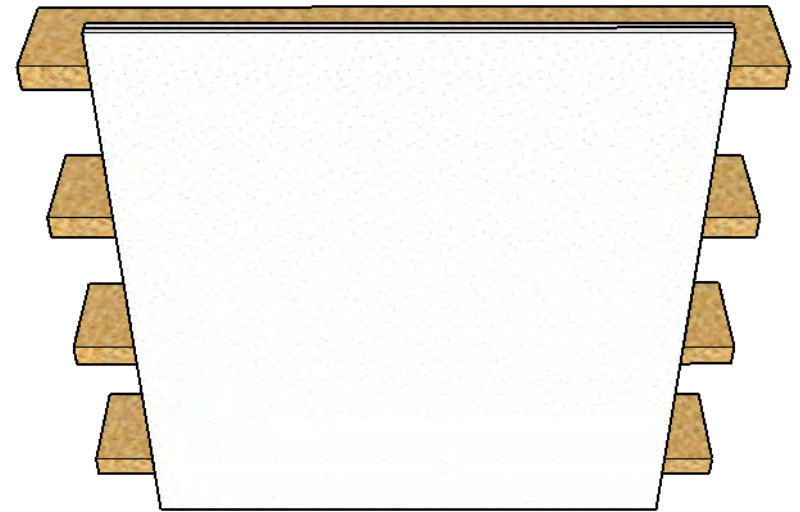
Step 1 - Blocking

Install wood blocking between the joists in the areas that will be receiving the Perfect Fit recessed cavity.



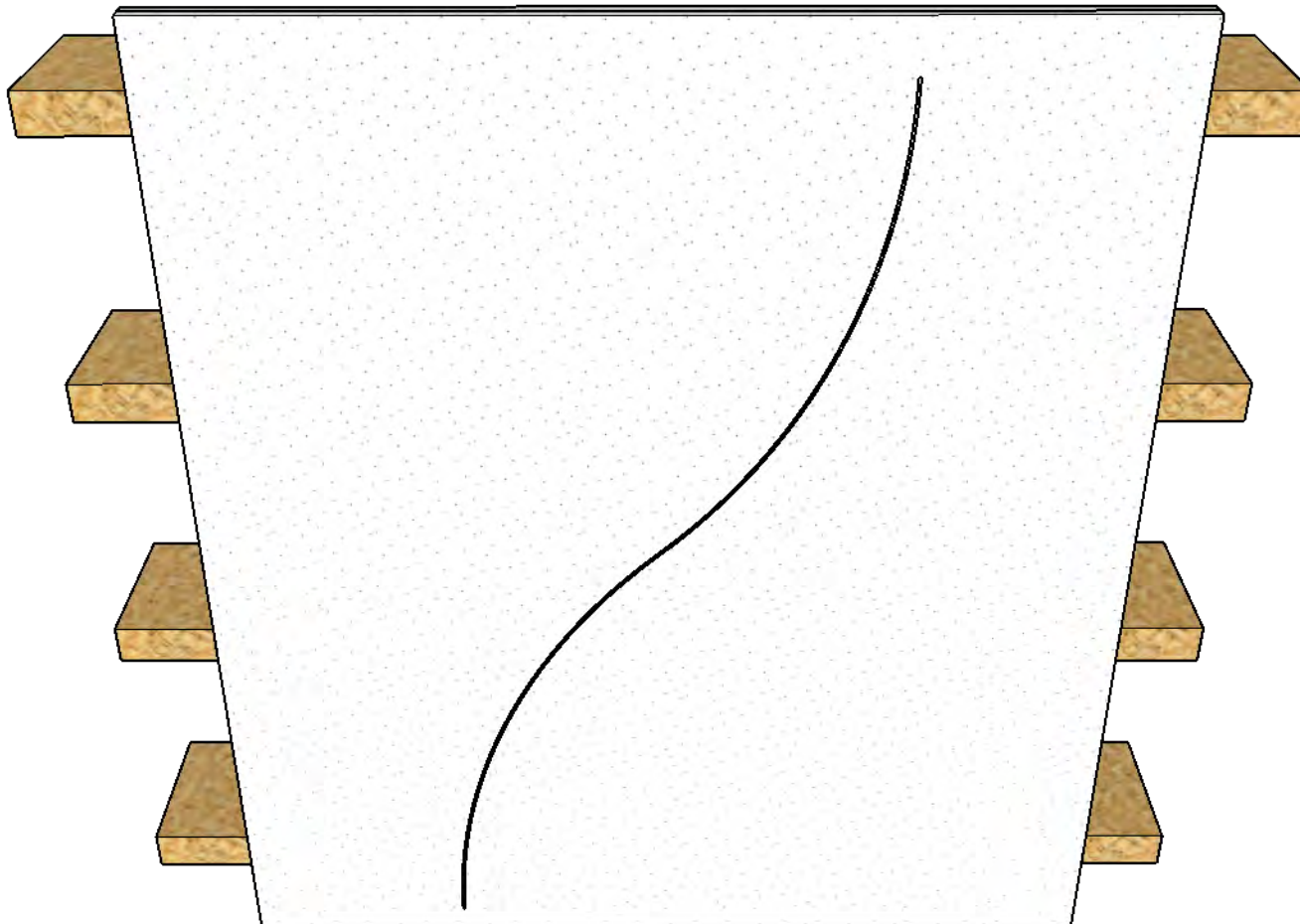
Step 2 - Drywall

Install the drywall over the joists.



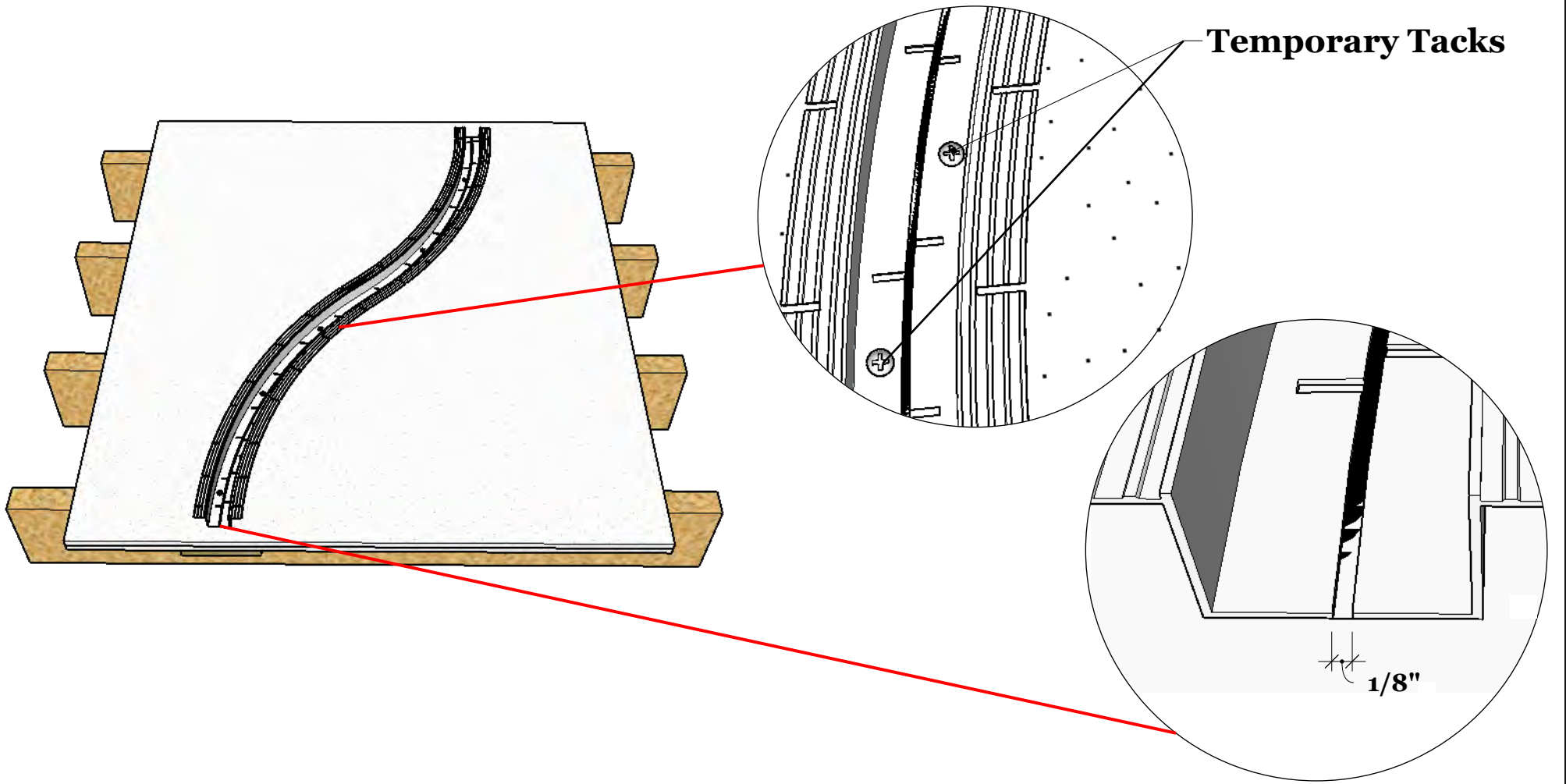
Step 3 - Draw Your Center Line

Draw the center line of the drapery track on the ceiling. Refer to your workroom and or drapery track manufacturer's recommendations for stack requirements and obstacle clearance.



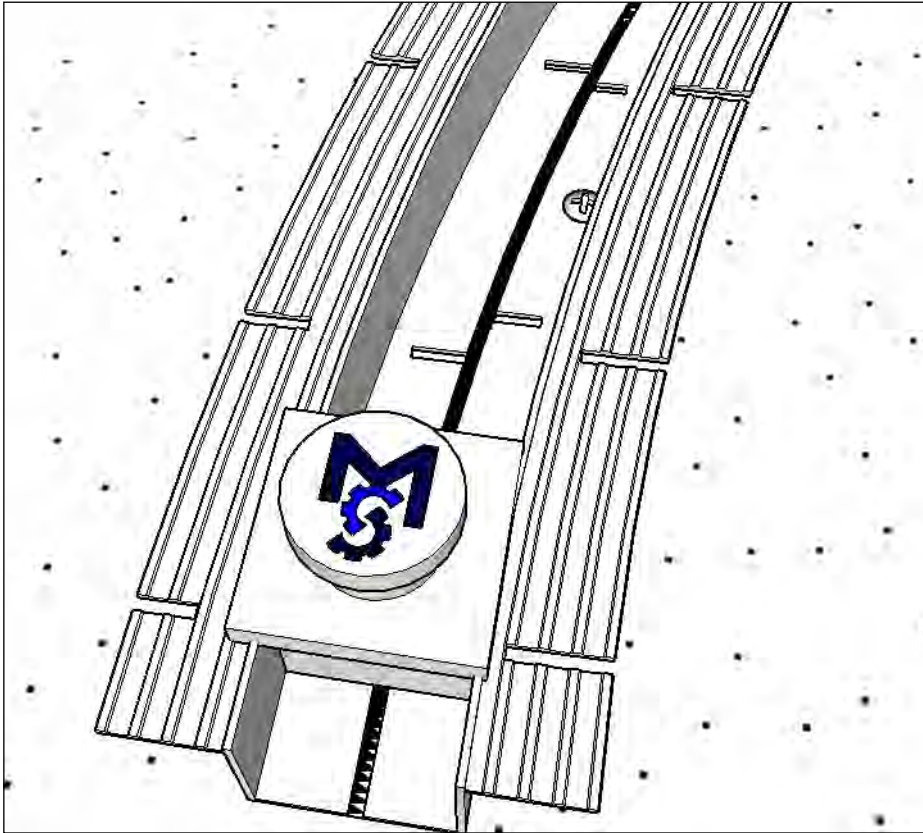
Step 4 - Draw Your Track Shape

Lay the two halves of bendable Perfect Fit along the track center line leaving a 1/8" space between the halves. Install temporary screws to tack the cavities in place.



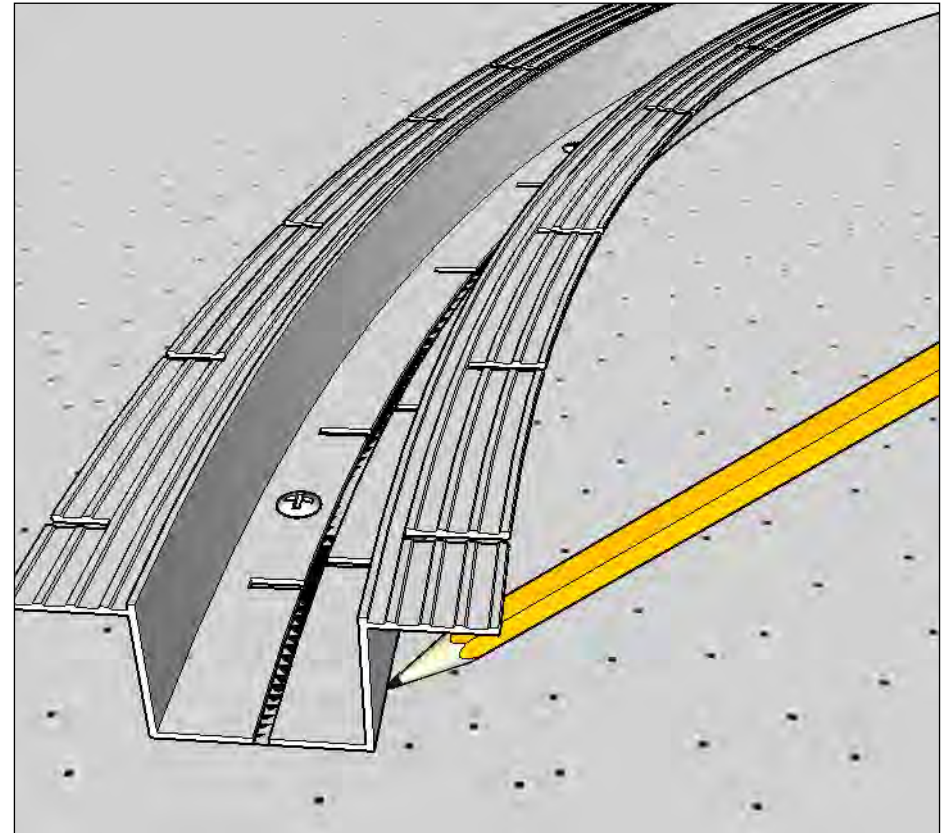
Step 5 - Test The Spacing

Slide the Perfect Fit spacing tool along the path of the track to confirm proper spacing.



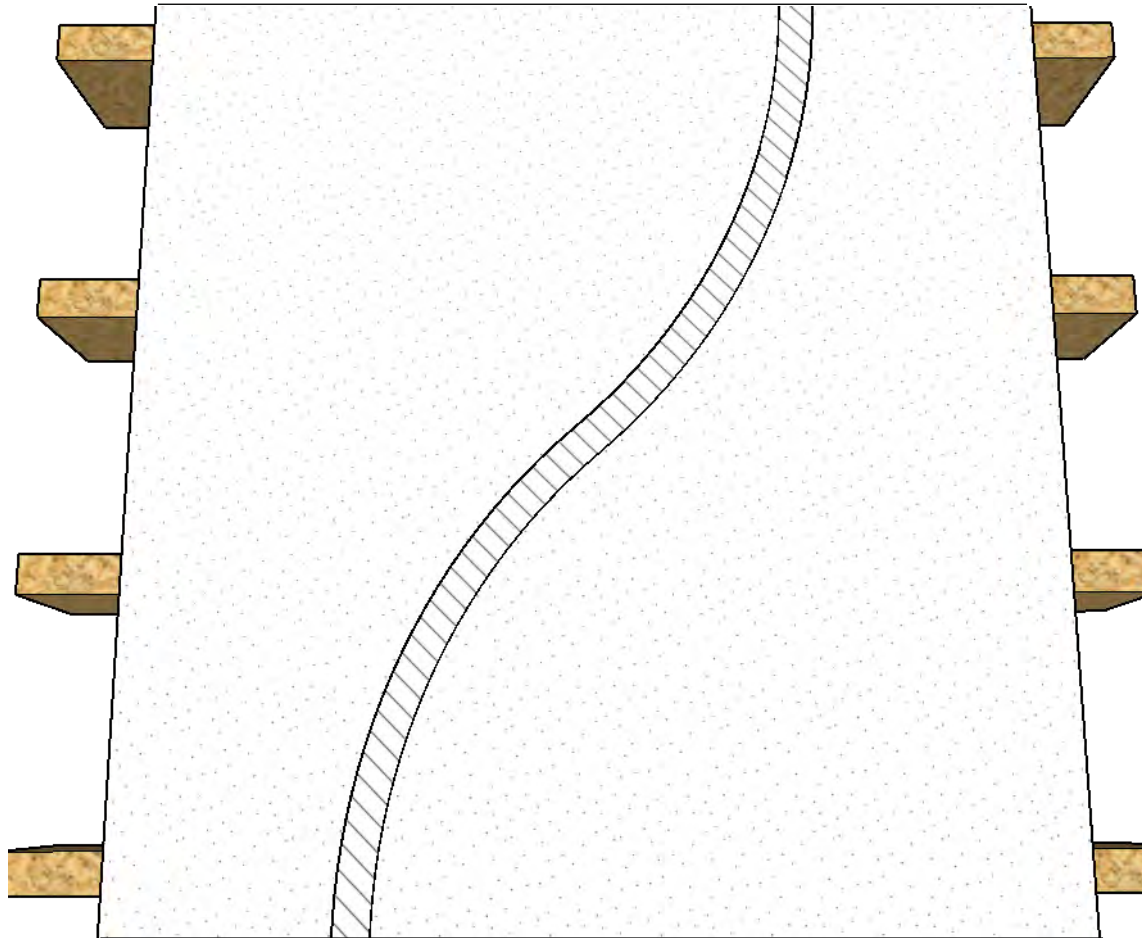
Step 6 - Trace The Cavities

Using a pencil, trace the outside of the cavities.



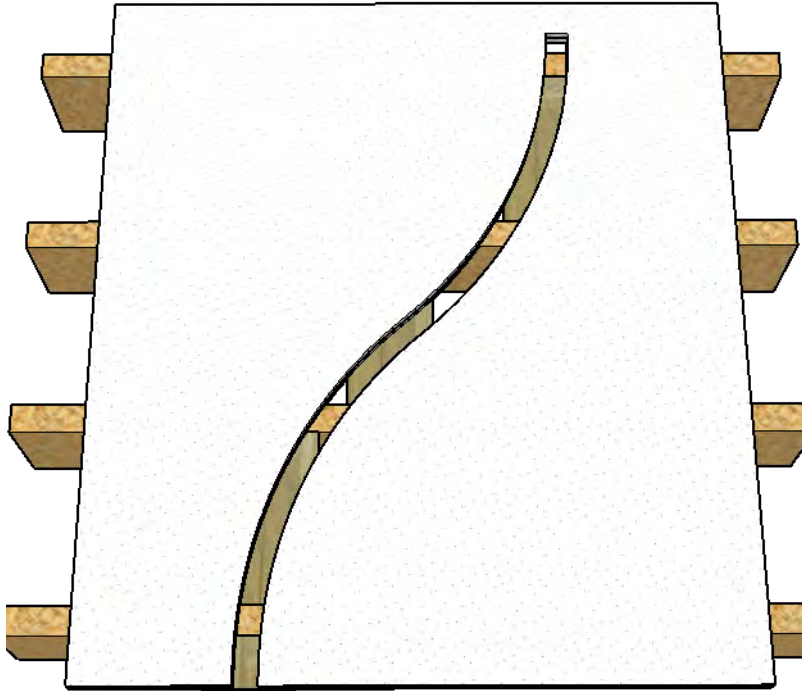
Step 7 - Prepare For the Cut

Unscrew the temporary screw tacks holding the Perfect Fit halves to the ceiling to reveal the shape of your track.



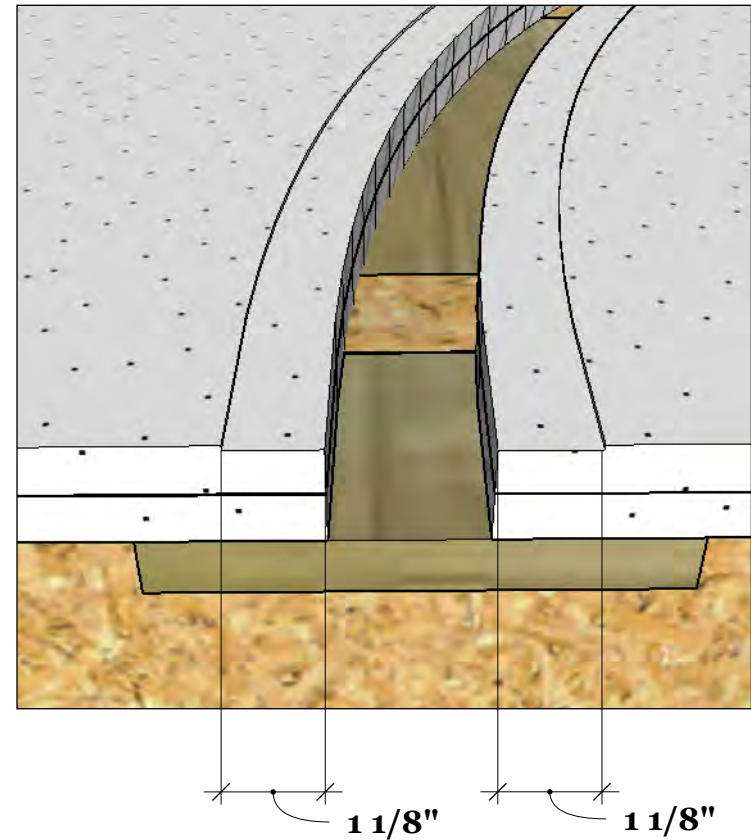
Step 8 - Cut The Shape

Cut the drywall along the pencil line.



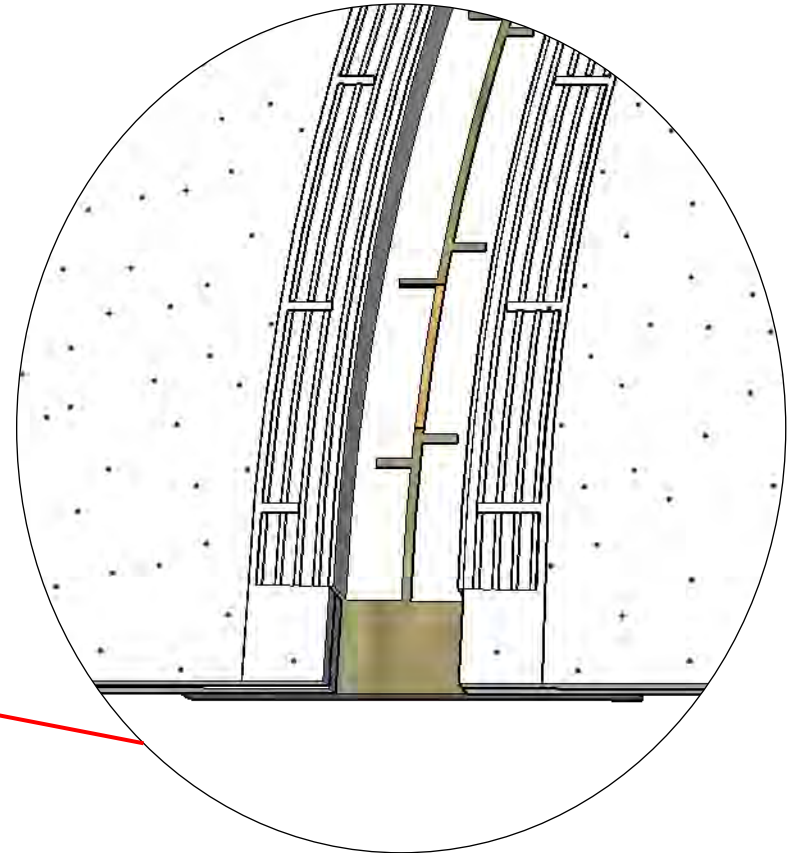
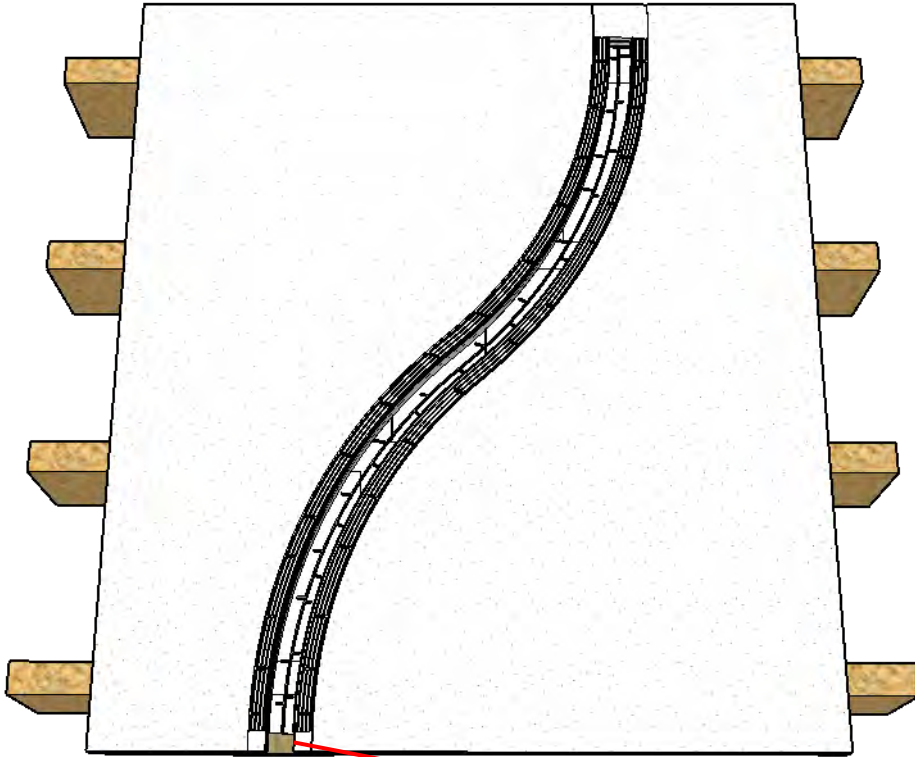
Step 9 - Thin The Edges

Thin the drywall in the area to receive the Perfect Fit Cavity so that the mud flanges will be flush with the ceiling once mud in.

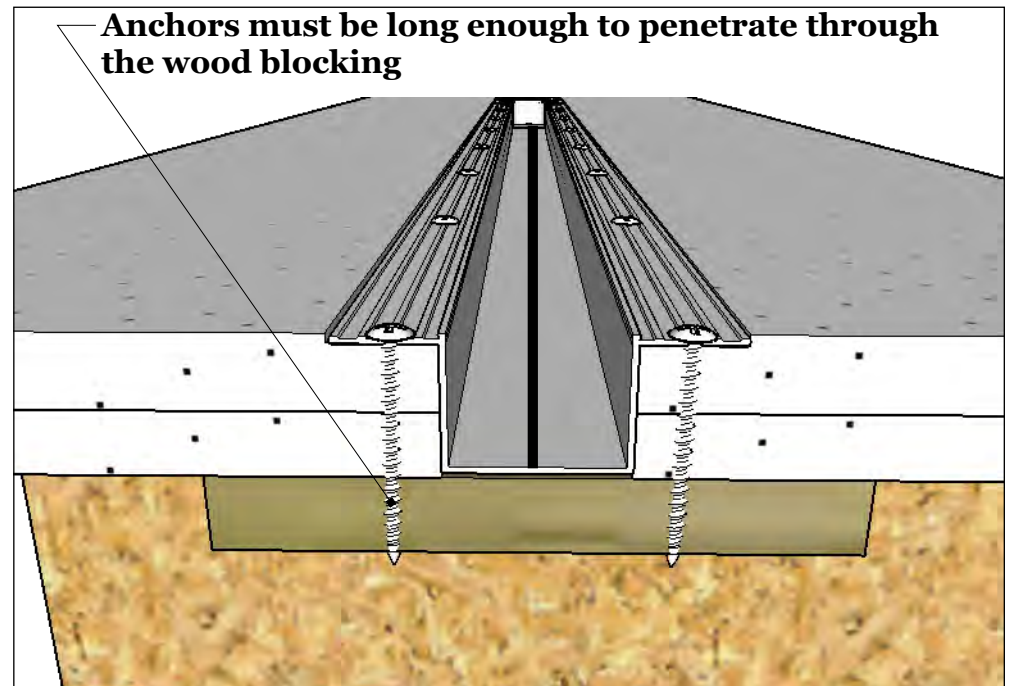
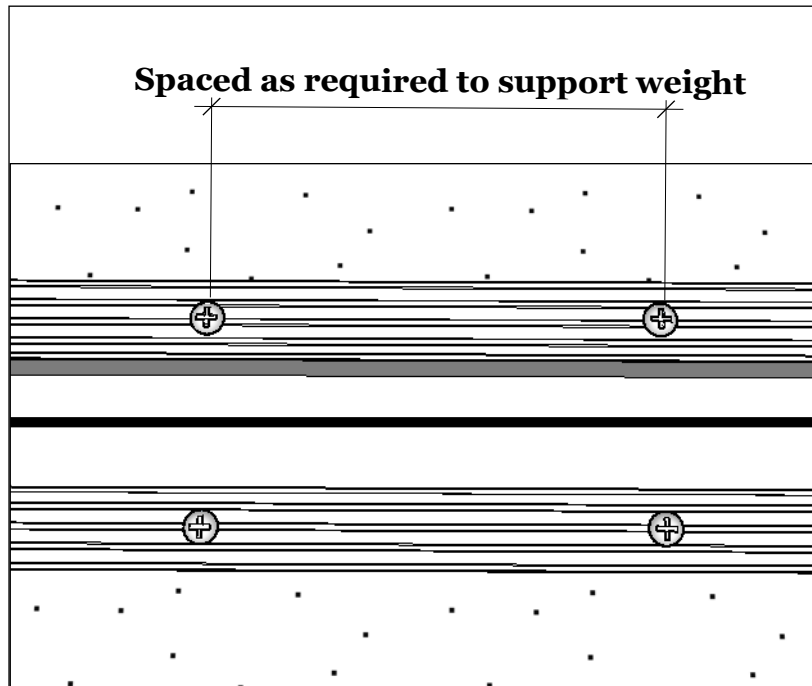
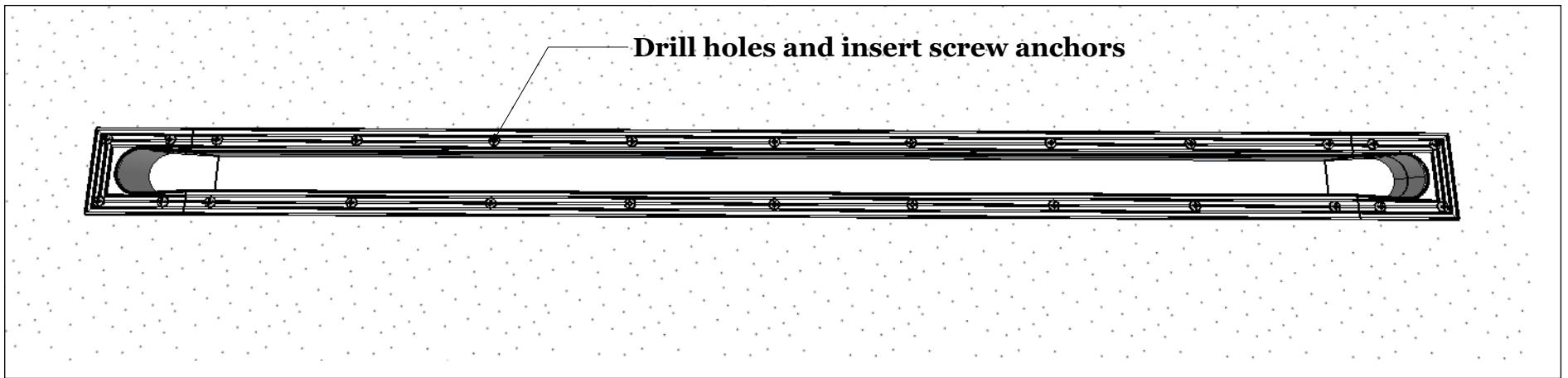


Step 10 - Install The Cavities

Place the Perfect Fit cavities in place.

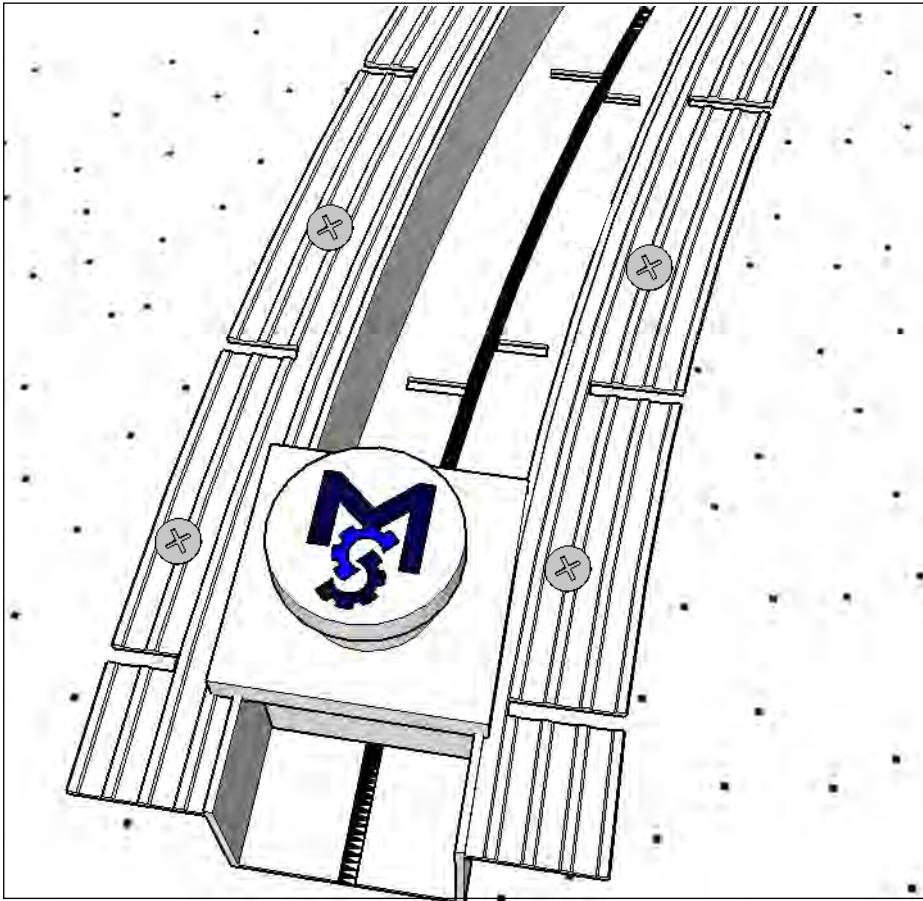


Step 11 - Install The Cavity



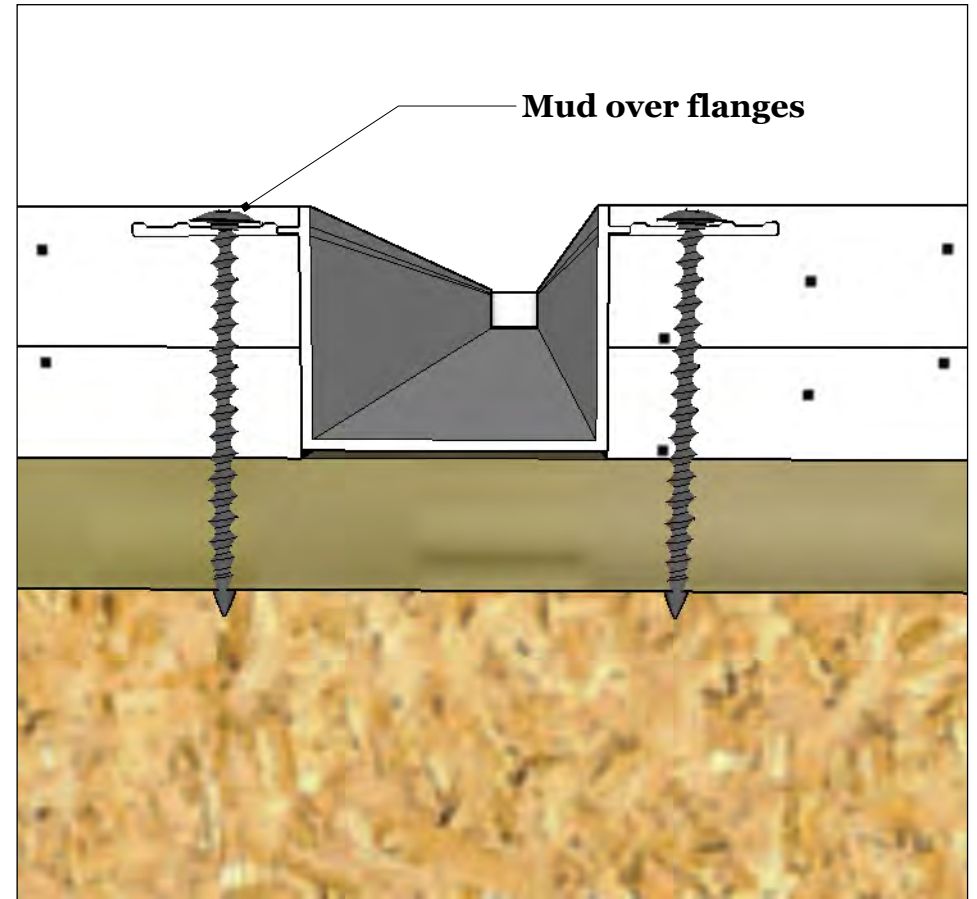
Step 12 - Test The Spacing

Slide the Perfect Fit spacing tool along the path of the track to confirm proper spacing.



Step 13 - Complete The Finish

Mud over the mud flanges, taking care not to get mud in the cavity.



Note: If your system will be wall to wall, have an inside corner, or be a tandem track, the mud lip will need to be trimmed flush to the cavity to allow the drapery system to reach the extents.

